

# MHF II Plug Cable Assembly

Mating Height : **2.1mm MAX**

## 【Part Number】

Ground Contact : **Au** Plating

**20311-011 R - 08**

①

Ground Contact : **Ag** Plating

**20312-011 R- \* \***

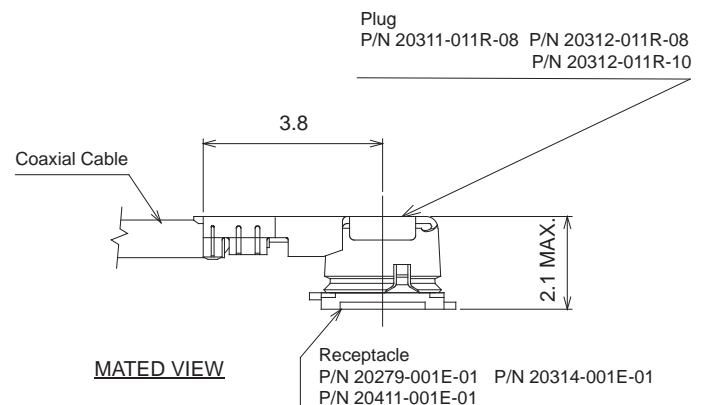
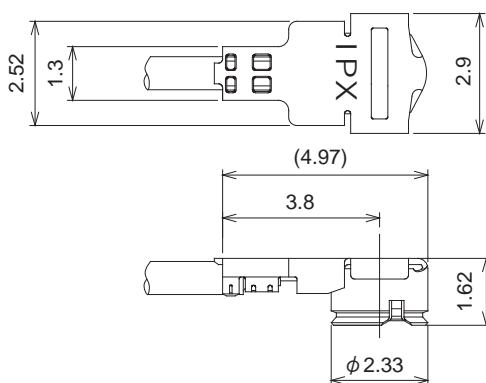
①

②

|   |                       |          |                       |
|---|-----------------------|----------|-----------------------|
| ① | Packing               | <b>R</b> | Reel 1reel : 2,000pcs |
| ② | Applicable Cable Size | -        | 08, 10                |

## 【Applicable Cable Size】

| Part No. (Au)                          | 20311-011R-08         | -                     |
|--|-----------------------|-----------------------|
| Part No. (Ag)                          | 20312-011R-08         | 20312-011R-10         |
|  | for AWG#36            | for AWG#33            |
| Applicable Cable Nominal Dimension<br> |                       |                       |
| Braided Shield of Outer Conductor      | Single Braided Shield | Single Braided Shield |



## 【Material and Finish】

| Parts          | Material     | Plating / Color |
|----------------|--------------|-----------------|
| HOUSING        | LCP UL94V-0  | NATURAL         |
| CONTACT        | COPPER ALLOY | Au              |
| GROUND CONTACT | COPPER ALLOY | Au or Ag        |

# MHF Receptacle

## 3pads type

### 【Part Number】

Ground Contact : **Au Plating**

**20279-001 E- 01**

Packing : Emboss Tape

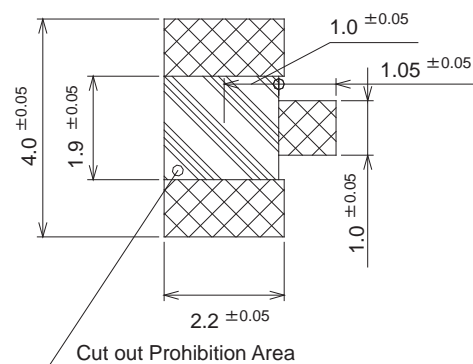
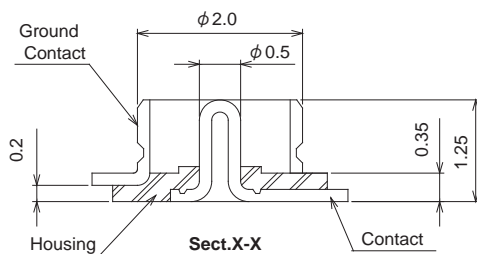
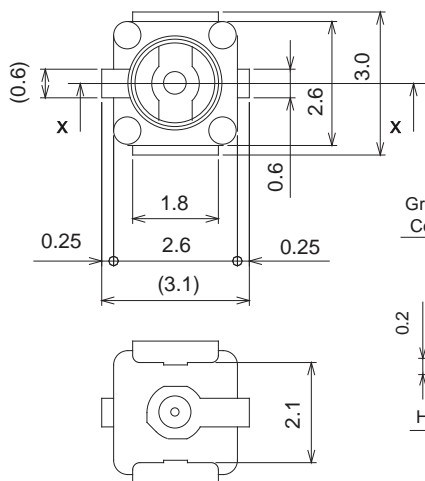
1reel : 2,500pcs

Ground Contact : **Ag Plating**

**20314-001 E- 01**

Packing : Emboss Tape

1reel : 2,500pcs



RECOMMENDED FOOTPRINT PATTERN

## 4pads type

### 【Part Number】

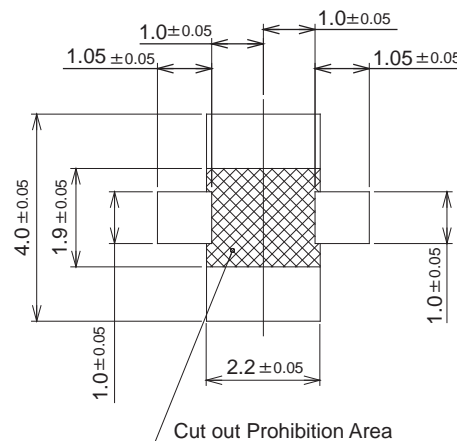
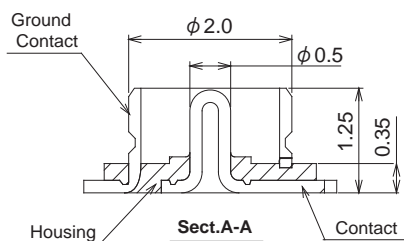
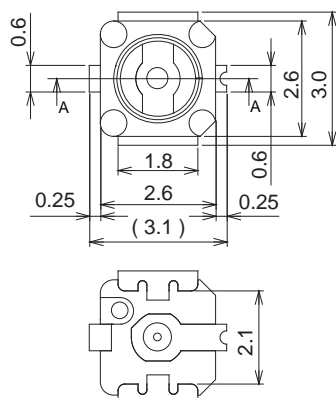
Ground Contact : **Au Plating**

**20441-001 E- 01**

※

※ Packing : Emboss Tape

1reel : 5,000pcs



RECOMMENDED FOOTPRINT PATTERN

### 【Material and Finish】

| Parts          | Material     | Plating / Color (3pads) | Plating / Color (4pads) |
|----------------|--------------|-------------------------|-------------------------|
| HOUSING        | LCP UL94V-0  | NATURAL                 | BLACK                   |
| CONTACT        | COPPER ALLOY | Au                      | Au                      |
| GROUND CONTACT | COPPER ALLOY | Au or Ag                | Au                      |